

ED Electric Chain Hoists with Hook Suspension and Mini Trolley



ED250S

In our ED Series of electric chain hoists, we offer the user a powerful combination of benefits. A wide variety of lifting speeds. A low headroom designed to fit most applications. A unique, ergonomically designed, one-handed cylinder control that results in maximum load control. These features tied together with the convenience of single-phase power, make these hoists ideal for both commercial and industrial applications.

Features and Benefits

ALL MODELS

Double Braking System

Provides protection with a Weston-style mechanical load brake and a regenerative brake.

Compact Design

Die-cast aluminum body is lightweight and low headroom to fit into tight areas. Easy to install, move and store.

Heavy Duty Motor

With .4 to .8 horsepower is above standard for industrial situations. The compact DC motor with rectifier for AC current reduces weight, generates less heat and maintains duty cycles.

High Performance Friction Clutch

Is integrated with the load brake and designed to slip to prevent overwinding or overtravel.

Heat Treated Gearing

Deep-groove ball and needle bearings are immersed in an oil bath resulting in smooth, quiet operation.

UNIQUE TO DS MODEL

Speed Flexibility

Low speed adjustable from 0 to 100% of maximum speed by setting screw inside the pendant.

UNIQUE TO CYLINDER CONTROL (DA) MODEL

In-Line Handgrip

Permits one-handed operation and gives the operator a free hand to easily position the load.

Removable Bottom Hook

Permits insertion of a variety of below-the-hook material handling devices.

High/Low Speeds

Easy touch rocker switch above handgrip allows quick selection between low and high speed control. Finger turn knobs allow custom setting of speeds from 0–100%.

UNIQUE TO DUAL SPEED INFINITY (DSA) MODEL

Speed Adjustment

Pendant has external speed adjustment knobs to customize the high and low speeds.

Heavy Duty Metal Hinged Cover

Protects pendant knobs from damage and prevents speed settings from shifting during operation.

Standard Hoist Specifications

Capacity Range

125 lb.–1050 lb.

Voltage

120-1-60

Control Voltage

120V Direct

Duty Cycle*

Varies by capacity—see charts

Ratings

Hoist—IP54

Pendant—IP65

Cylinder Control—IP44

Limit Switch

Prevents overwinding/overlifting
Standard upper

Chain Falls

Single fall—125–525 lb.

Double fall—1050 lb.

Standard Lengths

Single/Dual Speeds Lift—10'

Cylinder Control Lift—6'

Single/Dual Speeds Pendant

Drop—3' less than lift

Cylinder Control—9' reach
(approx.)

(reach equals lift plus headroom)

Power Supply—16'

(longer lengths available)

Standard Pendants

Single/Dual Speeds—2 button
Momentary contacts

Chain Containers

Standard

Plastic

Mini Trolley

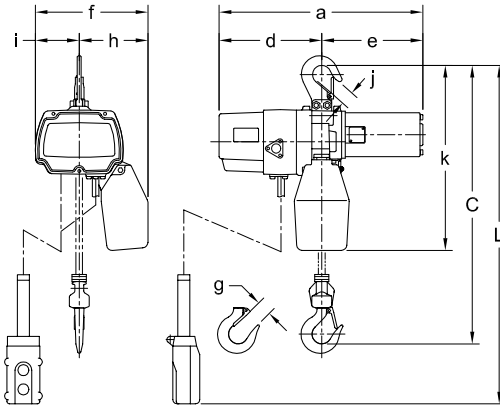
Fits all ED models up
to 525 lb. capacity

For ED1050 lb. capacity or wider
flanges use PT005 trolley

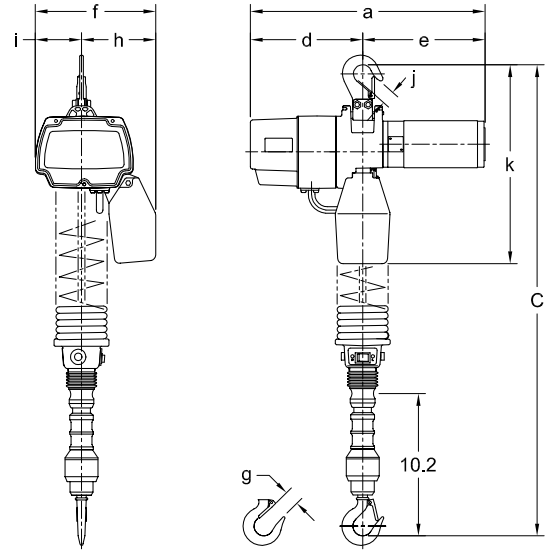
HARRINGTON ELECTRIC CHAIN HOISTS



ED525DA



S and DS Models



DA Model
(Dimensions in inches.)

HOIST—SPECIFICATIONS

Cap. (lbs)	Product Code			Lifting Speed (ft/min)		Standard Lift (ft)		Push Button Cord L (ft)		Motor Output (HP)	Intermittent Duty Rating		Short Time Duty Rating (min)	Rated Current at 120V (amps)
	Single Speed S Model	Dual Speed DS Model	Dual Adjustable DA Model	S Model	DS & DA Model	S & DS Model	DA Model	S & DS Model	DA Model		Duty Rating % ED	Max. Start Freq. (Times/Hr)		
125	ED125S	ED125DS	ED125DA	69	69/13	10	6	8	Coiled	0.4	30	180	15	5
220	ED220S	ED220DS	ED220DA	43	43/10					0.4	30	180	15	5
250	ED250S	ED250DS	ED250DA	26	26/10					0.4	20	120	10	6
350	ED350S	ED350DS	ED350DA	66	66/13					0.8	30	180	20	10
400	ED400S	ED400DS	ED400DA	26	26/10					0.4	20	120	10	6
525	ED525S	ED525DS	ED525DA	44	44/10					0.8	30	180	20	10
1050	ED1050S	ED1050DS	—	22	22/6	—	—	—	—	0.8	30	180	20	10

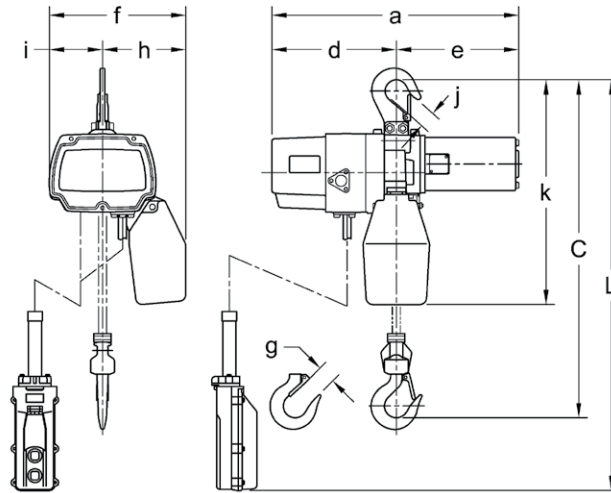
HOIST—DIMENSIONS AND WEIGHTS

Cap. (lbs)	Headroom C (in)		a (in)	d (in)	e (in)	f (in)	g (in)	h (in)	i (in)	j (in)	k (in)	Net Weight (lbs)			Weight for Additional One Foot of Lift (lbs)	
	S & DS Model	DA Model										S Model	DS Model	DA Model	S Model	DS Model
125	12.4	37.2	14.6	7.4	7.2	8.1	1.0	4.9	3.1	1.0	13.4	23	24	31	0.26	0.29
220	12.4	37.2	14.6	7.4	7.2	8.1		4.9	3.1		13.4	23	24	31		
250	12.4	37.2	14.6	7.4	7.2	8.1		4.9	3.1		13.4	24	25	32		
350	13.0	37.8	16.9	8.1	8.8	8.6		5.3	3.3		14.3	33	34	40		
400	12.4	37.2	14.6	7.4	7.2	8.1		4.9	3.1		13.4	24	25	32		
525	13.0	37.8	16.9	8.1	8.8	8.6		5.3	3.3		14.3	33	34	40		
1050	20.5	—	16.9	8.1	8.8	9.0	0.9	6.1	2.9	—	17.9	46	47	—	0.49	0.52

ED Electric Chain Hoists with Hook Suspension and Mini Trolley



ED525DSA



ED525DSA

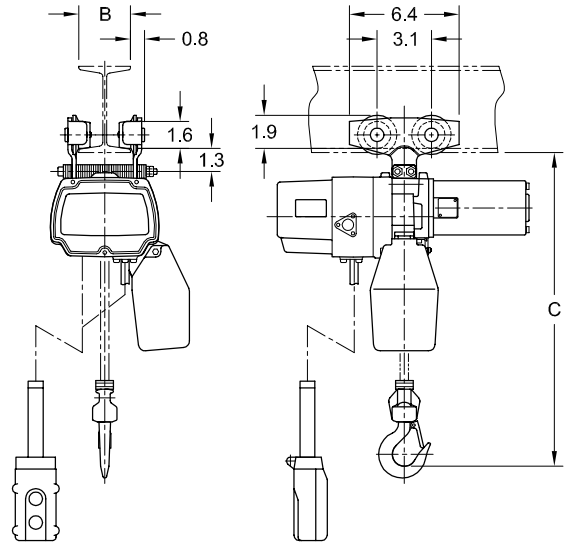
HOIST—DIMENSIONS AND WEIGHTS

Cap. (lbs)	Product Code	Lifting Speed (ft/min)	Standard Lift (ft)	Push Button Cord L (ft)	Motor Output (HP)	Intermittent Duty Rating		Short Time Duty Rating (min)	Rated Current at 120V (amps)
						Duty Rating % ED	Max. Start Freq. (Times/Hr)		
125	ED125DSA	69/13	10	8	0.4	30	180	15	5
220	ED220DSA	43/10			0.4	30	180	15	5
250	ED250DSA	26/10			0.4	20	120	10	6
350	ED350DSA	66/13			0.8	30	180	20	10
400	ED400DSA	26/10			0.4	20	120	10	6
525	ED525DSA	44/10			0.8	30	180	20	10
1050	ED1050DSA	22/6			0.8	30	180	20	10

HOIST—DIMENSIONS AND WEIGHTS

Cap. (lbs)	Headroom C (in)	a (in)	d (in)	e (in)	f (in)	g (in)	h (in)	i (in)	j (in)	k (in)	Net Weight (lbs)	Weight for Additional One Foot of Lift (lbs)
125	12.4	14.6	7.4	7.2	8.1	1.0	4.9	3.1	1.0	13.4	24	0.29
220	12.4	14.6	7.4	7.2	8.1		4.9	3.1		13.4	24	
250	12.4	14.6	7.4	7.2	8.1		4.9	3.1		13.4	25	
350	13.0	16.9	8.1	8.8	8.6		5.3	3.3		14.3	34	
400	12.4	14.6	7.4	7.2	8.1		4.9	3.1		13.4	25	
525	13.0	16.9	8.1	8.8	8.6		5.3	3.3		14.3	34	
1050	20.5	16.9	8.1	8.8	9.0	0.9	6.1	2.9	17.9	47	0.52	

ED Electric Chain Hoists



ET525 (Dimensions in inches.)

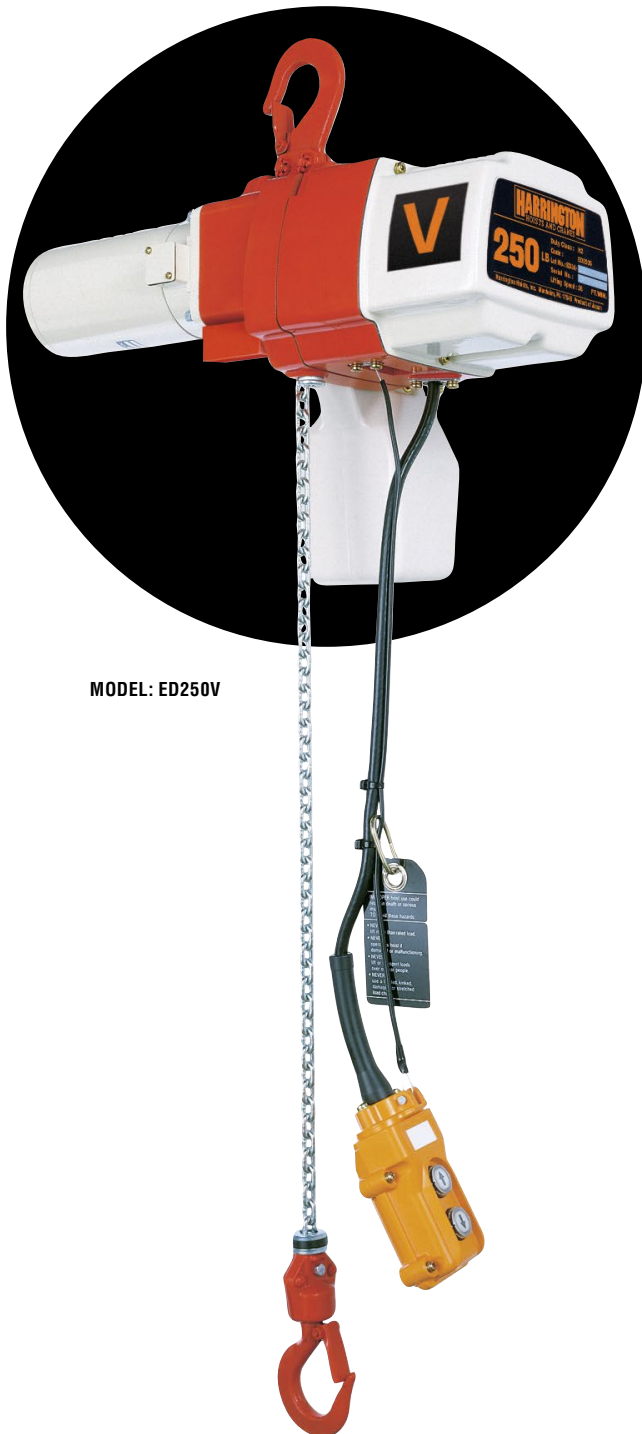
ET MINI TROLLEY—SPECIFICATIONS

Maximum Capacity (lbs)	Product Code	Adjustable Beam Width B (in)	Minimum Radius For Curve (in)	Net Weight (lbs)	Approximate Shipping Weight (lbs)
525	ET525	1.97-3.94	23.6	4.0	5.0

ET MINI TROLLEY—DIMENSIONS

Cap. (lbs)	Headroom C (in)	
	S & DS Models	DA Model
125	10.5	35.3
220		
250		
350	11.1	35.9
400	10.5	35.3
525	11.1	35.9

ED-V Mini Electric Chain Hoists



MODEL: ED250V

Harrington's ED-V Mini single phase, single speed electric chain hoists are built with **Smart Speed Technology**. This allows the user to change the factory set speed of 16 fpm (8 fpm for 1000 lb capacity) to a higher speed, within each model's maximum range, by making a simple adjustment inside the hoist when necessary.

These hoists will handle critical or awkward loads by providing the speed and precise load positioning needed for a wide variety of lifting requirements.

Powerful and Portable

Flexibility

- **Smart Speed Technology** for specific speed selection
- Capacity range to fit your application

Compact Design

- Rugged yet lightweight die-cast aluminum body
- Low headroom
- Easily installed, transported or stored

Dependability

- Weston-style and regenerative load brakes
- Friction clutch for overwinding protection
- Standard upper limit switch
- Nickel-plated, heat-treated load chain
- Heat-treated gearing

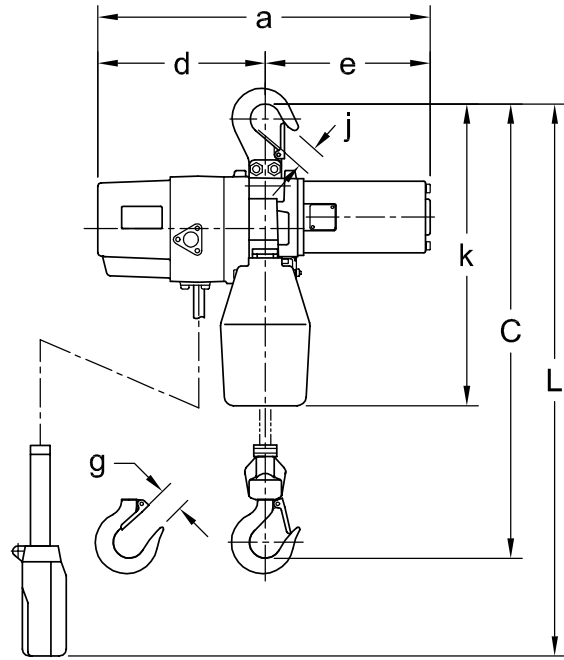
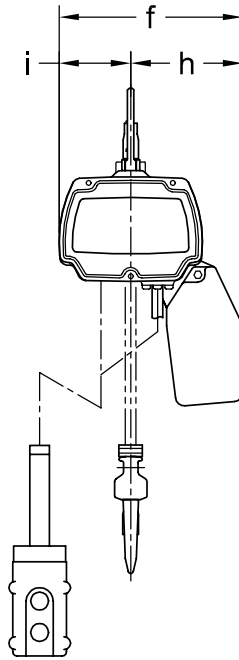
Applications

- Industrial and commercial
- Work stations and work cells
- Assembly lines
- Pick-and-place operations

Ask your local sales representative or call our Customer Service staff for friendly and expert advice on models and options.



ED250V



ED250V

ED-V MINI ELECTRIC CHAIN HOIST—SPECIFICATIONS

Cap. (lbs)	Product Code	Lifting Speed (ft/min)		Standard Lift (ft)	Push Button Cord L (ft)	Motor Output (HP)	Load Chain Wire Diameter (mm) x Chain Fall Lines	Intermittent Duty Rating		Short Time Duty Rating (min)	Rated Current at 120V (amps)
		Standard Speed	Maximum Speed *					Duty Rating % ED	Max. Start Freq. (Times/Hr)		
250	ED250V	16	26	10	8	0.4	4.0 x 1	20	120	10	6
350	ED350V	16	44			0.8		30	180	20	10
500	ED500V	16	44			0.8		30	180	20	10
1000	ED1000V	8	22			0.8	4.0 x 2	30	180	20	10

*Units are set at Standard Speed and may be adjusted up to Maximum Speed in the field.

ED-V MINI ELECTRIC CHAIN HOIST—DIMENSIONS AND WEIGHTS

Cap. (lbs)	Product Code	Headroom C (in)	a (in)	d (in)	e (in)	f (in)	g (in)	h (in)	i (in)	j (in)	k (in)	Net Weight (lbs)	Weight for Additional One Foot of Lift (lbs)
250	ED250V	12.4	14.6	7.4	7.2	8.1	1.0	4.9	3.1	1.0	13.4	24	0.26
350	ED350V	13.0	16.9	8.1	8.8	8.6		5.3	3.3		14.3	33	
500	ED500V	13.0	16.9	8.1	8.8	8.6		5.3	3.3		14.3	33	
1000	ED1000V	20.5	16.9	8.1	8.8	9.0	0.9	6.1	2.9		17.9	46	0.49



Harrington Hoists, Inc.
401 West End Avenue, Manheim, PA 17545
717-665-2000 / 800-233-3010 / Fax: 717-665-2861
www.harringtonhoists.com

Harrington Hoists, Inc.—Western Division
2341 Pomona Road, No. 103
Corona, CA 92880-6973
951-279-7100 / 800-317-7111 / Fax: 951-279-7500

Specifications and dimensions are subject to change without notice.
Rev 0 Copyright ©2016 4-16
Item No. SS-ED-V