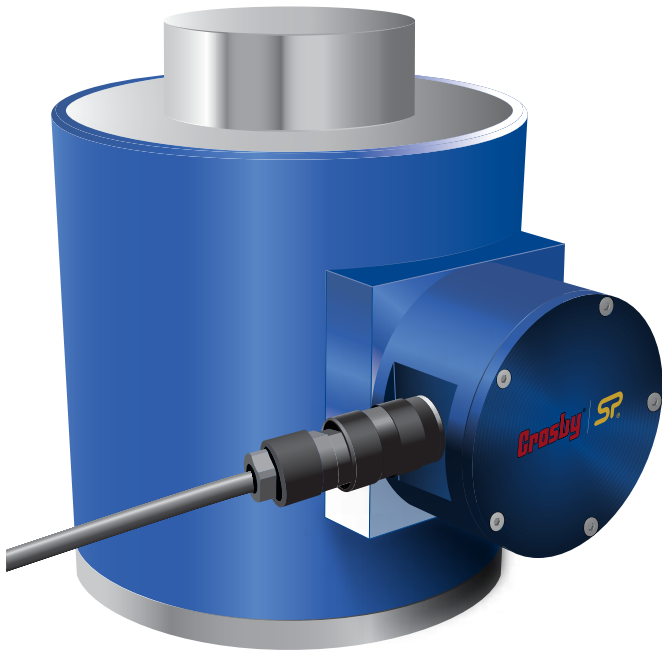


Compression Load Cell



Features and benefits:

- Compact size
- Environmentally sealed to IP67 or NEMA6
- Optional analogue outputs
- Stainless steel element
- High accuracy
- Lightweight
- Unrivalled resolution
- Custom versions available
- Design validated by F.E.A.



Requires connection to Straightpoint's Handheld plus (HHP), Desktop Controller data logging software (DCP10M) or External Amplifier range (SA-3420) that can be configured to provide outputs such as 4-20mA, 0-10v, 0-5v for PLC or data logger integration.

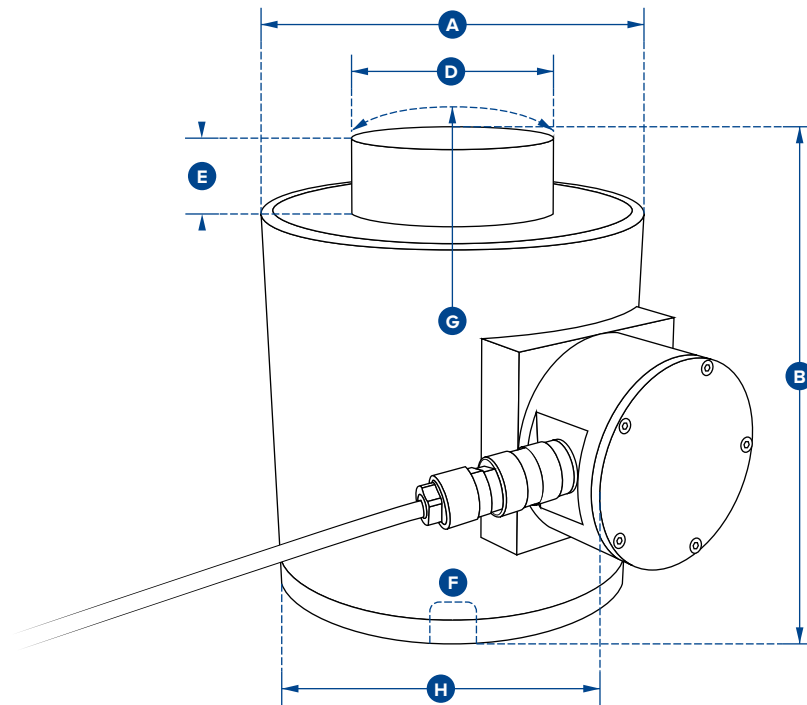
Manufactured in ranges from 5te to 1000te - other capacities available on application.

Straightpoint compression load cells are manufactured to the same stringent standards as all Straightpoint products. The bodies are machined from high grade stainless steel, offering excellent strength and anti-corrosion properties. Compression load cells can be supplied with optional loadcaps to protect objects being tested.

The compact lightweight design provides ease of use and superior portability, allowing Straightpoint compression load cells to be used in a broad range of industries including mining, energy, defence, heavy rigging, shipping and general transportation sectors.

Utilising the same advanced microprocessor based electronics as all Straightpoint products, Straightpoint's compression load cells benefit from high sampling rates, extreme resistance to industrial level noise and unprecedented stability. This high stability gives this product over 5,000 divisions and the highest standard resolution of any high-capacity compression load cell on the market today.

Like all Straightpoint products, Straightpoint compression load cells offer robust construction, advanced electronics, industry leading resolution and accuracy - all at a cost-effective, affordable price.



Part Numbers									
SP	NI5TC	NI10TC	NI25TC	NI50TC	NI100TC	NI150TC	NI300TC	NI500TC	NI1000TC
Crosby	2789068	2789062	2789065	2789067	2789061	2789063	2789064	2789066	2789275
Capacity	5te	10te	25te	50te	100te	150te	300te	500te	1000te
	11000lb	22000lb	55000lb	110000lb	220000lb	330000	660000lb	1100000lb	2200000lb
Resolution	0.001te	0.002te	0.005te	0.01te	0.05te	0.05te	0.1te	0.2te	0.5te
	2lb	5lb	10lb	20lb	100lb	100lb	200lb	500lb	1000lb
Units	tonne								
	lb								
Weight	6.2kg	6.2kg	6.2kg	6.2kg	15.5kg	15.5kg	65kg	65kg	172kg
	13.64lb	13.64lb	13.64lb	13.64lb	34lb	34lb	143lb	143lb	379lb
Safety Factor	3:1								
Operating Temp	-10°C to +50°C or 14°F to 122°F								
Accuracy	±0.1% of full scale								
Protection	IP67 or NEMA6								
Dimension ØA	100	100	100	100	152	152	185	185	362
	3.94"	3.94"	3.94"	3.94"	5.98"	5.98"	7.28"	7.28"	14.25"
Dimension B	127	127	127	127	184	184	300	300	310
	5.00"	5.00"	5.00"	5.00"	7.24"	7.24"	11.81"	11.81"	12.20"
Dimension ØD	59	59	59	59	80	80	155	155	270
	2.32"	2.32"	2.32"	2.32"	3.15"	3.15"	6.10"	6.10"	10.63"
Dimension E	16	16	16	16	26	26	27.5	27.5	40
	0.63"	0.63"	0.63"	0.51"	1.02"	1.02"	1.08"	1.08"	1.57"
Dimension F	M18 x 2.5	M18 x 2.5	M18 x 2.5	M20 x 2.5	M20 x 2.5	M20 x 2.5	M20 x 2.5	M20 x 2.5	M30 x 3.5
	M18 x 2.5	M18 x 2.5	M18 x 2.5	M20 x 2.5	M20 x 2.5	M20 x 2.5	M20 x 2.5	M20 x 2.5	M30 x 3.5
Dimension G	152	152	152	152	432	432	432	432	950
	5.98"	5.98"	5.98"	5.98"	17.01"	17.01"	17.01"	17.01"	37.40"
Dimension H	158	158	158	158	204	204	237	237	416
	6.22"	6.22"	6.22"	6.22"	8.03"	8.03"	8.03"	8.03"	16.38"