

TCS CHEETAH Air Powered Hoists with Pendant and Cord Controls and Hook Suspension

TCS CHEETAH air hoists have extremely fast and uniquely adjustable lifting and lowering speeds. These hoists are lightweight, compact and have outstanding feathering ability making them a perfect fit for fast-paced assembly line and workstation crane applications.



Features and Benefits

Unlimited Duty Cycle

For continuous operation

Spring-Loaded Multi-Vane Motor Design

Permits very fine feathering control

Extremely Fast Lifting

For applications where speed is critical

Extremely Compact & Lightweight Body

Cast aluminum body allows for easy operation, transportation and storage

External Speed Adjustment Screw

No tools required to set specific speeds

Adjustable Lifting and Lowering Speeds

Increases production capabilities

Heavy-duty Disc Motor Brake System

For reliable load support

Low Noise Levels

Adds to operator comfort

Nickel Plated Load Chain

Resistant to corrosion, abrasion and wear

Standard Hoist Specifications

Capacity Range

1/4 – 1 Ton

Standard Lift

10'
(longer lifts available)

Standard Pendant or Cord Length

4' less than lift
(longer lengths available)

Air Supply Pressure

60 – 90 psi

Air Lubrication

Minimum 10 to 15 drops of oil per minute (2-3cc/min.)

Air Filtration

Maximum 5 micron air filter or finer required

Air Inlet Port

1/2" NPT

Air Supply Hose Minimum Size

1/2"

Temperature Range

+14° – 140°F

Chain Containers

Optional
Canvas or Steel



TCS500P

TCS PENDANT MODEL—SPECIFICATIONS

Cap. (Tons)	Product Code	Standard Lift (ft)	Push Button Hose L (ft)	Up/Down Speeds (ft/min @ 90 psi)		Up/Down Air Consumption Rates (cubic ft/min @ 90 psi)		Load Chain Diameter (mm) x Chain Fall Lines	Net Weight (lbs)	Weight for Additional One Foot of Lift (lbs)
				No Load	Full Load	No Load	Full Load			
1/4	TCS250P	10	8.1	207 / 125	121 / 197	78 / 67	64 / 74	6.3 x 1	42	0.6
1/2	TCS500P	10	8.1	108 / 62	60 / 108	74 / 64	60 / 71	6.3 x 1	42	0.6
1	TCS1000P2	10	8.1	54 / 31	30 / 54	74 / 64	60 / 71	6.3 x 2	55	1.2

TCS PENDANT MODEL—DIMENSIONS

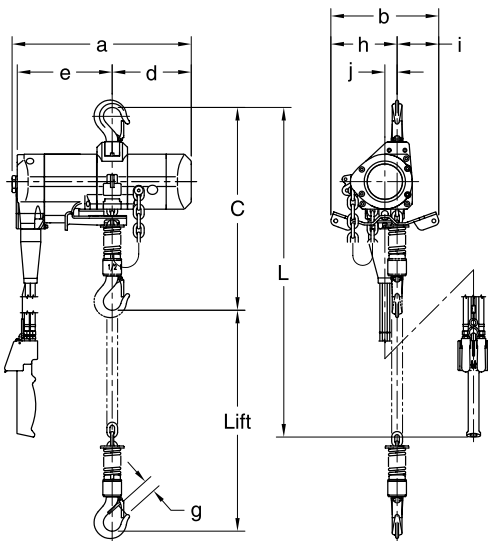
Cap. (Tons)	Product Code	Headroom C (in)	a (in)	b (in)	d (in)	e (in)	g (in)	h (in)	i (in)	j (in)
1/4	TCS250P	16.3	14.4	8.7	6.3	7.6	1.0	5.3	3.3	1.0
1/2	TCS500P	16.3	14.4	8.7	6.3	7.6	1.0	5.3	3.3	1.0
1	TCS1000P2	17.9	14.4	9.0	6.3	8.0	1.1	6.3	2.8	1.9

TCS CORD MODEL—SPECIFICATIONS

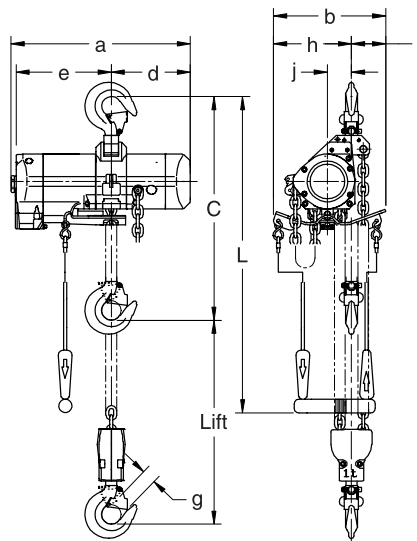
Cap. (Tons)	Product Code	Standard Lift (ft)	Cord L (ft)	Up/Down Speeds (ft/min @ 90 psi)		Up/Down Air Consumption Rates (cubic ft/min @ 90 psi)		Load Chain Diameter (mm) x Chain Fall Lines	Net Weight (lbs)	Weight for Additional One Foot of Lift (lbs)
				No Load	Full Load	No Load	Full Load			
1/4	TCS250C	10	7.3	207 / 125	121 / 197	78 / 67	64 / 74	6.3 x 1	40	0.6
1/2	TCS500C	10	7.3	108 / 62	60 / 108	74 / 64	60 / 71	6.3 x 1	40	0.6
1	TCS1000C2	10	7.3	54 / 31	30 / 54	74 / 64	60 / 71	6.3 x 2	53	1.2

TCS CORD MODEL—DIMENSIONS

Cap. (Tons)	Product Code	Headroom C (in)	a (in)	b (in)	d (in)	e (in)	g (in)	h (in)	i (in)	j (in)
1/4	TCS250C	16.3	14.4	8.7	6.3	7.6	1.0	5.3	3.3	1.0
1/2	TCS500C	16.3	14.4	8.7	6.3	7.6	1.0	5.3	3.3	1.0
1	TCS1000C2	17.9	14.4	9.0	6.3	8.0	1.1	6.3	2.8	1.9



TCS250P
Single Fall Pendant Model



TCS1000C2
Double Fall Cord Model