

TCR Large Capacity Air Powered Hoists with Pendant and Cord Controls and Hook Suspension

Harrington's TCR large capacity air chain hoists are market tested and proven to be durable and easily repairable. These high-performance hoists have the power required for lifting very heavy material and are best suited for extreme applications including in mines, shipyards, heavy construction, rigging situations and the petrochemical industry.

Standard Hoist Specifications

Capacity Range

10 – 25 Ton

Standard Lift

10'

(longer lifts available)

Standard Pendant or Cord Length

4' less than lift

(longer lengths available)

Air Supply Requirement

170 – 220 cfm at 60 – 90 psi

Air Lubrication

Minimum 10 – 15 drops per minute (2 – 3cc/min)

Air Filtration

Maximum 5 micron air filter or finer required

Air Inlet Port

1" NPT

Air Supply Hose Minimum Size

1"

Operating Conditions

Temperature range +14° to 140°F

Humidity 85% or less



TCR10000C2

LARGE CAPACITY PENDANT MODEL—SPECIFICATIONS

Cap. (Tons)	Product Code	Standard Lift (ft)	Push Button Hose L (ft)	Up/Down Speeds (ft/min @ 90 psi)		Up/Down Air Consumption Rates (cubic ft/min @ 90 psi)		Load Chain Diameter (mm) x Chain Fall Lines	Net Weight (lbs)	Weight for Additional One Foot of Lift (lbs)
				No Load	Full Load	No Load	Full Load			
10	TCR10000P2	10	8.8	7.2 / 5.9	5.1 / 7.6	220 / 180	180 / 210	16 x 2	476	3.8
25	TCR25000P2		9.4	2.1 / 1.6	1.8 / 2.2	210 / 190	170 / 200	22 x 2	1082	7.0

LARGE CAPACITY PENDANT MODEL—DIMENSIONS

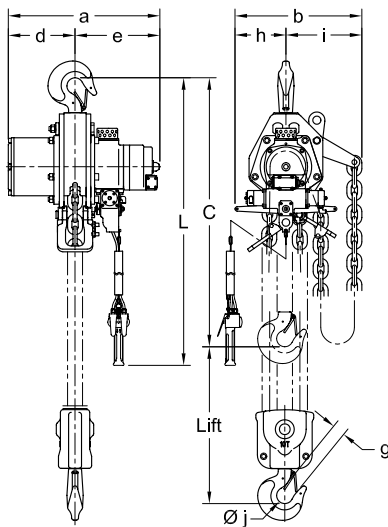
Cap. (Tons)	Product Code	Headroom C (in)	a (in)	b (in)	d (in)	e (in)	g (in)	h (in)	i (in)	j (in)
10	TCR10000P2	35.0	22	18.4	9.7	12.3	1.6	7.4	11.0	2.4
25	TCR25000P2	56.7	27.9	18.8	14.3	13.6	3.1	6.5	12.3	4.9

LARGE CAPACITY CORD MODEL—SPECIFICATIONS

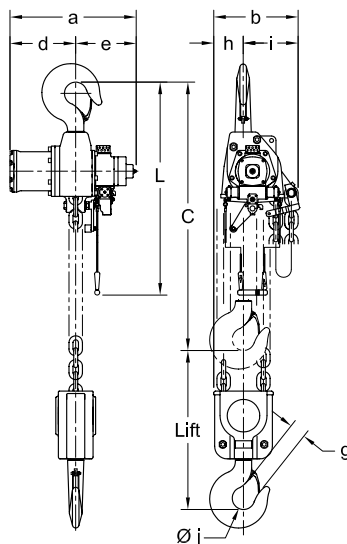
Cap. (Tons)	Product Code	Standard Lift (ft)	Cord L (ft)	Up/Down Speeds (ft/min @ 90 psi)		Up/Down Air Consumption Rates (cubic ft/min @ 90 psi)		Load Chain Diameter (mm) x Chain Fall Lines	Net Weight (lbs)	Weight for Additional One Foot of Lift (lbs)
				No Load	Full Load	No Load	Full Load			
10	TCR10000C2	10	8.1	7.2 / 5.9	5.1 / 7.6	220 / 180	180 / 210	16 x 2	465	3.8
25	TCR25000C2		8.7	2.1 / 1.6	1.8 / 2.2	210 / 190	170 / 200	22 x 2	1074	7.0

LARGE CAPACITY CORD MODEL—DIMENSIONS

Cap. (Tons)	Product Code	Headroom C (in)	a (in)	b (in)	d (in)	e (in)	g (in)	h (in)	i (in)	j (in)
10	TCR10000C2	35.0	22	18.4	9.7	12.3	1.6	7.4	11.0	2.4
25	TCR25000C2	56.7	27.9	18.8	14.3	13.6	3.1	6.5	12.3	4.9



TCR10000P2



TCR25000C2