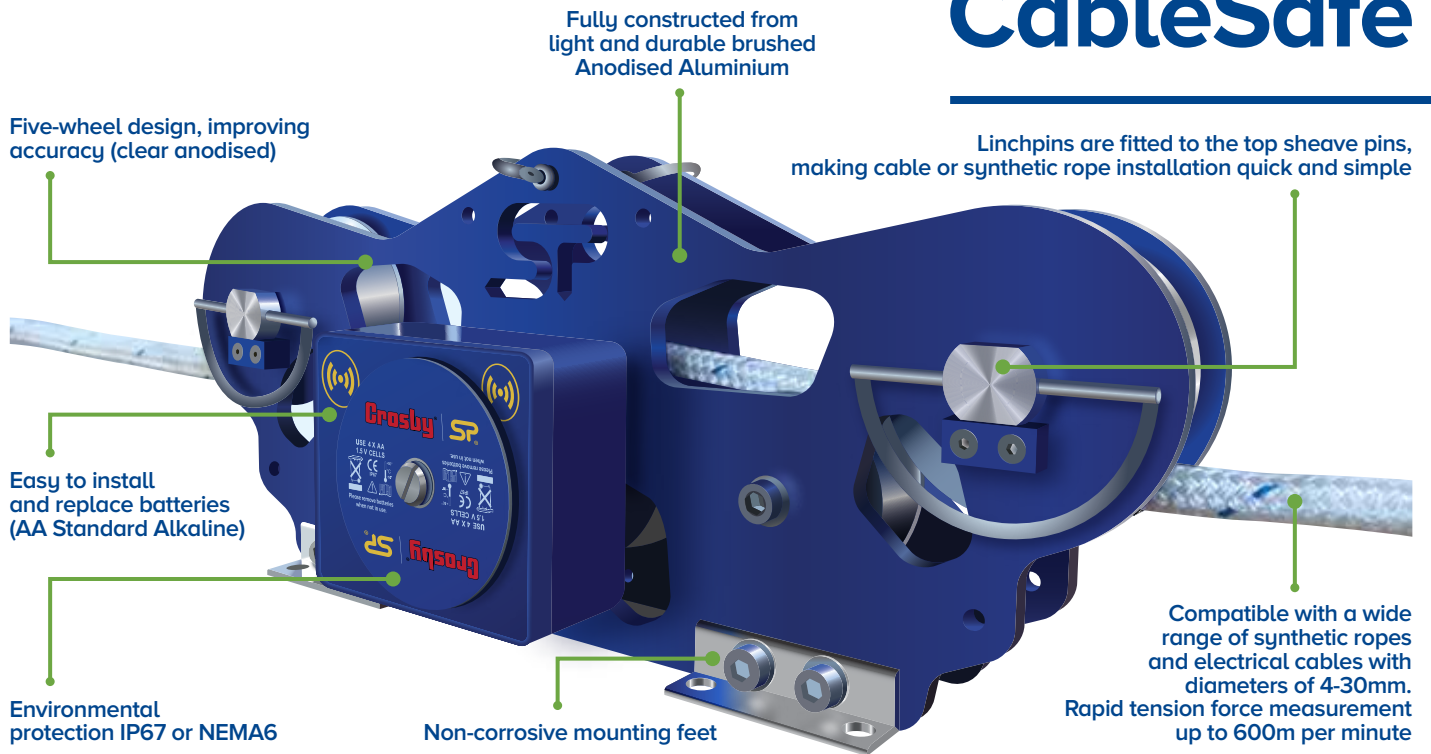


# CableSafe



**In addition to the TIMH range, the CableSafe is the continued evolution of Straightpoint's running line tensiometers. When used in the field, it will allow the user to monitor tension with exceedingly high levels of accuracy, which ensures rope/cables do not become overstretched or break.**

When using a capstan winch to unwind electrical cable from a reel/spool, you will be able to integrate the CableSafe within this set-up to ensure that it is being pulled at a safe tension level. This helps the line maintain its transmissions capability, prevent it becoming a fire hazard risk, and it also stops the need of furthering work in order to remove and replace it. The contractor is gifted with decreased liability, dramatically increasing peace of mind. Using CableSafe on cable pulls reduces liabilities on cable installations, making it ideal for the following applications:

- Measure tension when pulling electrical cables – protect against fractures or elongation
- Measuring tension on synthetic rope when erecting delicate structures using gin poles and capstan winch

Another example of best use is during the installation of cell phone towers or similar delicate structures. The product helps ensure structure-to-ground ropes which are connected to a gin pole and pulley system. Do not exceed maximum tension whilst lifting sections of the tower to the top because there can be the possibility of the rope becoming snagged, causing greater tension to be loaded upon the system. With heavy materials being lifted to great heights; this would create a major safety hazard leading to a catastrophic failure, endangering lives. Avoid the unknown through accurate monitoring, especially when risks are high.

What distinguishes it, apart from previous versions of this type, is the developed lightweight design, allowing easy transportation and usage. Providing up to 500 hours battery life, you can be assured there will not be any loss of power before your work day has ended. High level IP67 or NEMA6 ingress protection allows it to be used in a variety of heavy weather conditions and dusty environments. These features, as a collective, means that it will be an invaluable and reliable tool in your work-related armoury.

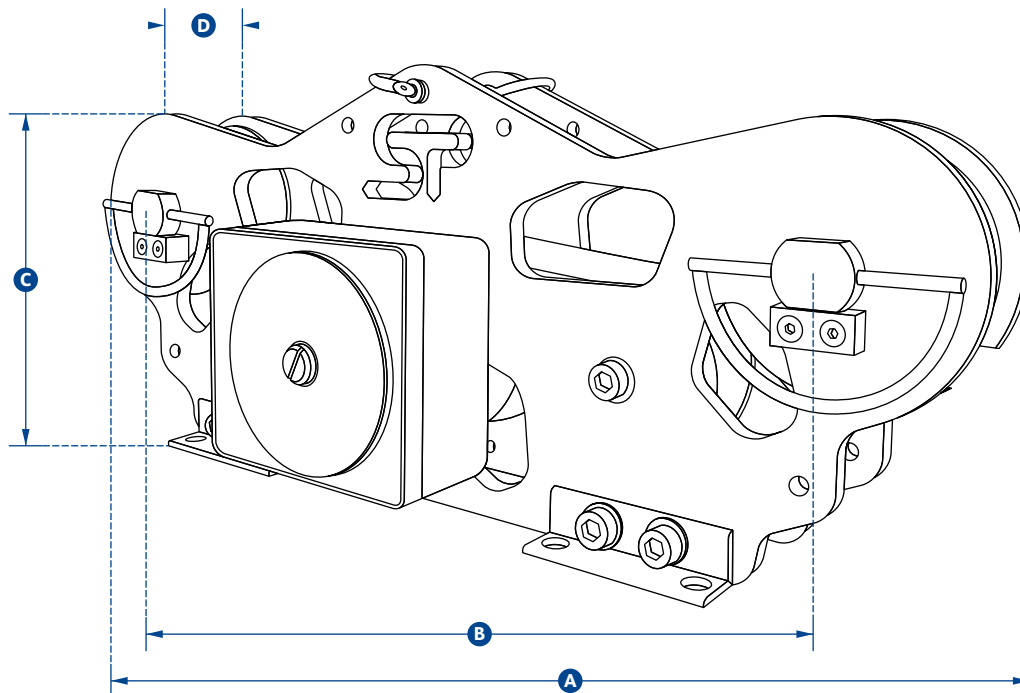
The five-wheel design and gravity catches, with top sheave pins, allows for fast and simple rope attachment set-up. The accuracy is further improved over three-wheel alternatives.

When used with a cable/rope pulling device, you can remotely monitor the tension on the line using your smart handheld device via a Bluetooth connection\*. With the operator locating themselves up to 100m or 328ft away from the CableSafe, it will allow them to survey job progress at a safe distance.

*\*The 'HHP' app is available to download for free (Android/iOS) and is compatible with all SP Bluetooth Products.*

## Applications:

- Fibre-optic cable pulling using turret winches
- Water gates for dams
- Offshore rescue and retrieval
- Capstan rope/cable winding
- Broadcast and telecommunications
- Erecting towers (maintaining structural capacity)
- Service and maintenance of cell towers



Part Numbers	CableSafe	CableSafe WD
SP	2789219	2789399
<b>Crasby</b>		
Capacity	10te 22,000lb	10te 22,000lb
Resolution	0.01te 20lb	0.01te 20lb
Synthetic rope/	4-19mm	9.5-30mm
Electrical cable Ø	5/32"- 3/4"	3/8"- 1 3/16"
Weight	4.5kg 10lb	8kg 17.6lb
Battery Type	4 x AA Alkaline	
Battery Life	500hrs	
Operating Temp	-10°C to +50°C 14°F to 122°F	
Accuracy	±2% of full scale	
Range	Bluetooth 100m Bluetooth 328ft	
Protection	IP67 NEMA6	
Maximum Speed	600m per minute 1968ft per minute	
Dimension A	422mm 16.61"	422mm 16.61"
Dimension B	328mm 12.91"	328mm 12.91"
Dimension C	152mm 5.98"	152mm 5.98"
Dimension D	36mm 1.41"	50.5mm 1.98"

## Features and benefits:

- Simple to use and set up
- Remote monitoring using smart phone via Bluetooth
- Rapid tension force measurement - Up to 600m or 1968ft per minute
- Able to be used in all weather and air quality conditions
- Easy to install and replace batteries (4 x AA standard Alkaline)
- Fully constructed from aerospace-grade aluminium with anodised finish
- Five wheel design improving accuracy
- Blue anodised side plates
- Linchpins are fitted to the top sheave pins making wire rope installation quick and simple
- Maintenance-free heavy duty bearings
- Compatible with a wide range of synthetic rope/electrical cable diameters – 4-30mm or 5/32"- 1 3/16"
- Design validated by F.E.A.
- IP67 ingress protection or NEMA6 – heavy protection against dust and rain